

[Overview 1](#)

[Connections 2](#)

Note: DBK205 provides a 12-slot screw terminal for DaqBoard/2003 and cPCI DaqBoard/2003c.



This product is not used for LogBook applications.



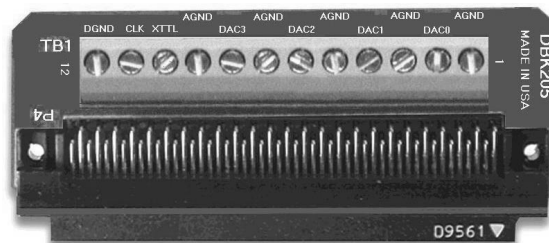
Reference Notes:

- Refer to [Chapter 2, Power Management](#), in regard to calculating system power requirements.
- [Chapter 3, System Connections and Pinouts](#), includes pinouts for P1, P2, P3, and P4. Refer to the pinouts that are applicable to your system, as needed.
- For a quick comparison of all DBK200 Series boards, refer to the [DBK200 Series Matrix](#). The matrix is located just before the DBK200 document module.
- Refer to the *DaqBoard/2000 Series and cPCI DaqBoard/2000c Series User's Manual* (p/n 1033-0901) for information pertaining to those products, as needed.

Overview

DaqBoard/2003 and cPCI DaqBoard/2003c boards communicate [external from the host PC] through a 100-pin P4 connector. The DBK205 provides 12 screw-terminal connections on one terminal block (TB1), as follows:

- four analog outputs (DAC0, DAC1, DAC2, and DAC3)
- one digital ground (DGND)
- five analog grounds (AGND)
- one external clock (CLK)
- one external trigger (XTTL)



DBK205
P4 to 12-Slot Screw Terminal Adapter Board

Note: The signal lines on DBK205's P4 connector correspond with *P3-associated pins* on the P4 connector of DaqBoard/2003 and cPCI DaqBoard/2003c.

Note: The P1, P2, and P3 connectors discussed in association with DaqBoard/2000 Series and /2000c Series boards are subset connectors of the 100-pin P4 connector that is located on those boards. Chapter 3, *System Connections and Pinouts*, includes pinouts for P1, P2, P3, and P4.



Although a 3-foot, 100-conductor ribbon cable (part number CA-195) is typically used to connect a DaqBoard/2000 Series or /2000c Series board with a P4 adapter, the DBK205 adapter board can connect directly to the DaqBoard's P4 connector.

Be sure to align the P4 orientation indicators (▲) prior to mating the P4 connectors.

Connections

The DBK205 can be connected directly to the 100-pin P4 connector on the DaqBoard/2003, or /2003c.

CAUTION



Turn off power to the host PC and externally connected equipment prior to connecting cables or signal lines to the DBK205. Electric shock or damage to equipment can result even under low-voltage conditions.



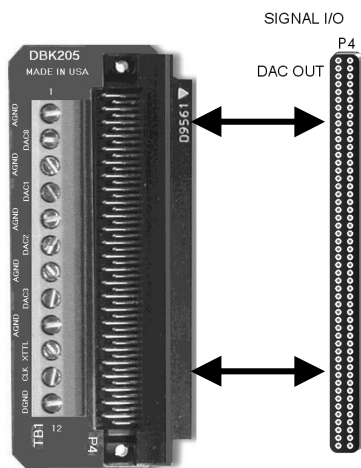
Take ESD precautions (packaging, proper handling, grounded wrist strap, etc.) Use care to avoid touching board surfaces and onboard components. Only handle boards by their edges (or ORBs, if applicable). Ensure that boards do not come into contact with foreign elements such as oils, water, and industrial particulate.



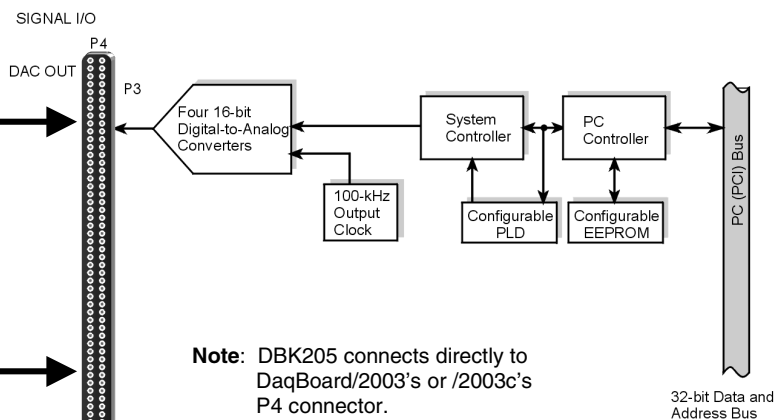
Be sure to align the P4 orientation indicators (▲) prior to mating the P4 connectors.

DBK205
Terminations

TB1-1	AGND
TB1-2	DAC0
TB1-3	AGND
TB1-4	DAC1
TB1-5	AGND
TB1-6	DAC2
TB1-7	AGND
TB1-8	DAC3
TB1-9	AGND
TB1-10	XTTL
TB1-11	CLK
TB1-12	DGND



DBK205 Adapter



Note: DBK205 connects directly to DaqBoard/2003's or /2003c's P4 connector.

DaqBoard/2003 Block Diagram